

Harmony

The Harmony Chair by First Class Seating is the most cost effective and environmentally conscious fixed seating choice in the industry.



Model 3300/3500
33" & 35" Back Height
Body: Upholstered
Frame: Steel

Cinema

Education

Performing Arts

Planetarium

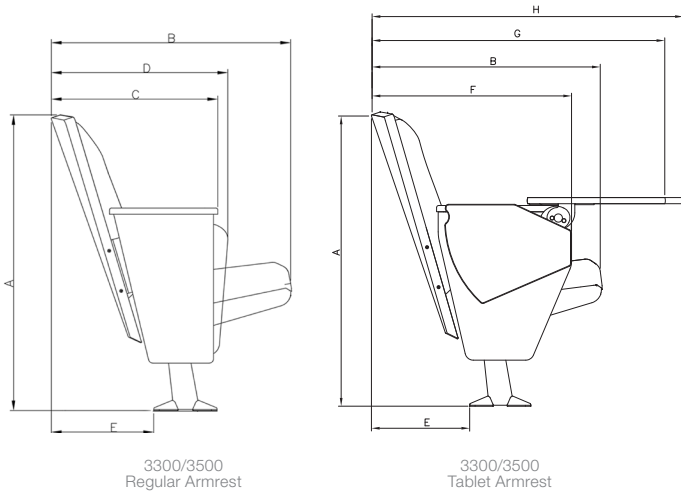
Suite Seating

Theatre

Worship



FIRST CLASS SEATING



- A** Back height
- B** Seat in down position
- C** Rear of back to front of armrest
- D** Seat in 3/4 fold up position
- E** Back pitch allowance
- F** Tablet in stowed position
- G** Regular tablet in user position
- H** Large tablet in user position

Chairs without tablet folding armrest seat widths **19" 20" 21" 22" 23" 24"**
 Chairs with folding tablet armrest seat widths **20" 21" 22" 23" 24"**
 Back heights **33" 35"**
 Regular tablet armrest **110 sq. in.**
 Large tablet armrest **135 sq. in.**

3500/3500T HARMONY

Regular Armrest/Tablet Armrest *Floor Mount*

Back Pitch	12°	16°	20°	24°
A	37"	36 1/4"	35 3/4"	35"
B	25"	26 1/4"	28"	29 1/4"
C	16 1/2"	18"	19 1/2"	20 3/4"
D	17 1/2"	19"	20 1/4"	21 3/4"
E	8 3/4"	10"	11 1/2"	13"
F	21 3/4"	23 1/4"	24 3/4"	26"
G	30 3/4"	32 3/4"	33 3/4"	35"
H	33. 5/8"	34 7/8"	36 1/2"	37 3/4"

3300/3300T HARMONY

Regular Armrest/Tablet Armrest *Floor Mount*

Back Pitch	12°	16°	20°	24°
A	35"	34 1/2"	34"	33 1/4"
B	24 1/4"	25 1/2"	27"	28 1/4"
C	16"	17 1/4"	18 1/2"	20"
D	16 3/4"	18"	19 1/4"	20 3/4"
E	8"	9 1/4"	10 1/2"	12"
F	20 3/4"	22"	24 1/4"	25 1/2"
G	30"	31 1/4"	32 1/5"	34 3/4"
H	32 1/4"	33 1/2"	34 3/4"	37"

Design Features

- Patented high strength low mass frame system highlights attractive tapered pylon steel standard
- Comfortable, quiet, long life Dymetrol™ seat suspension, so there are no springs to wear out
- Ergonomic seat back design with lumbar support
- Durable, quiet counterweight seat fold design
- Strong inner back support, molded of 100% recycled plastic
- Pyramid foot design increases strength, eliminates water trapping
- Simplified pivot rod design, increased strength and rigidity, simplifies installation and maintenance
- Quiet, self-lubricating Delrin™ pivot rod bushing for long life
- Lifetime warranty on structural steel

Standard Product Features

- Standard 14 gauge steel
- Metal finish *Powder coat*
- Inner back assembly *2" high density foam over 100% post-consumer, recycled compression molded inner panel*
- Outer back *One piece injection molded with textured surface*
- Gravity seat lift system
- Armrest *3D laminate over MDF core*
- Fabric *Standard specification for woven upholstery*
- End panel *3D laminate over MDF core*
- ADA (American Disabilities Act) compliant
- Fire code *TB 117 compliant*

Optional Product Features

- Tablet armrests
- Wood or fully upholstered outer back
- Armrest *Plastic cupholder, HDPE plastic, solid hardwood, HPL*
- End panel *Upholstered, solid hard wood, HDPE, HPL*
- Aisle lights *Concealed under armrest or on end panel*
- Number and letter plates
- Custom logo and donor plates
- Fully upholstered seat
- Data and power track
- Armless standard option
- Removable bases *1, 2, and 3 chair units*
- California TB 133 upholstery fabric liner
- Broad array of fabric patterns
- Tufts and pleats
- Hymnal/book holders